

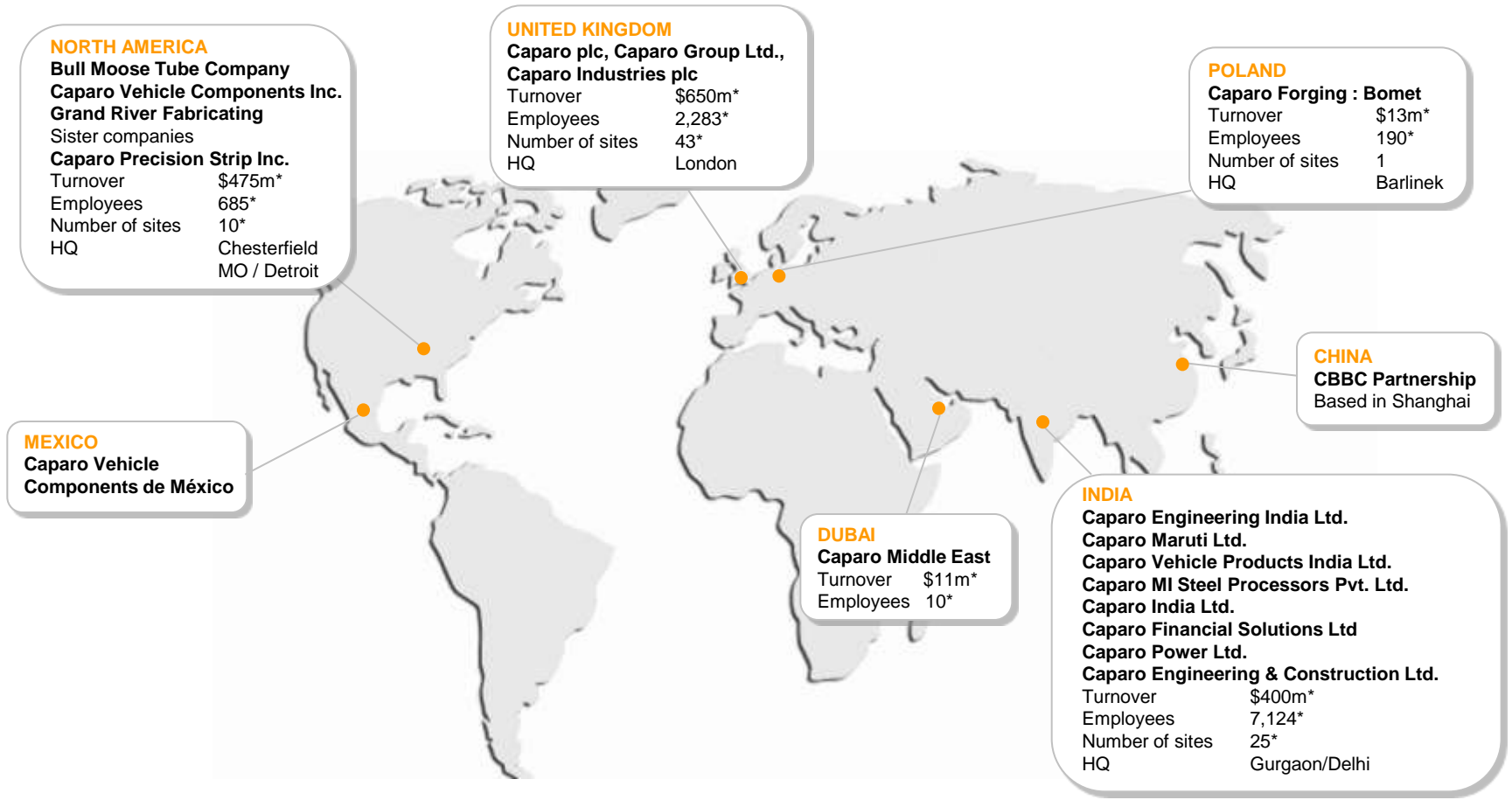
OUTLOOK FOR THE UK SUPPLY BASE

A Supplier Perspective

Chris Gane
Caparo Industries

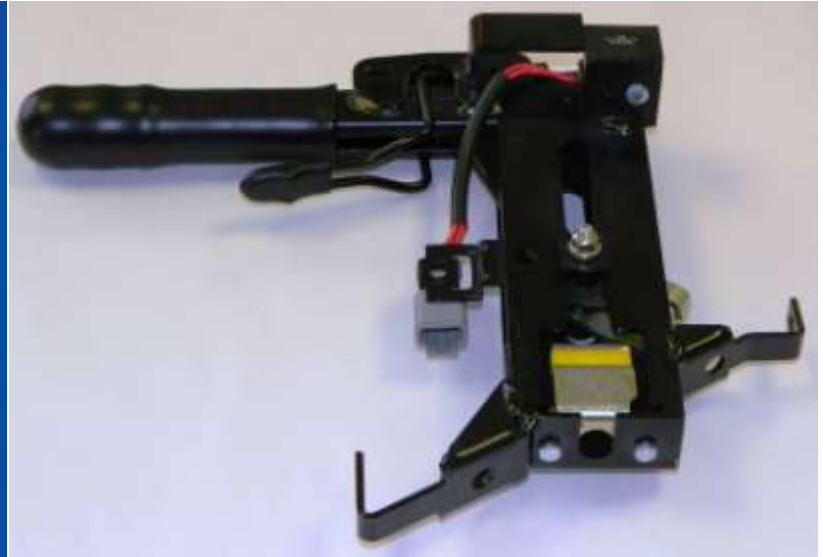
SMMT
DRIVING THE
MOTOR INDUSTRY 

Caparo Worldwide Locations

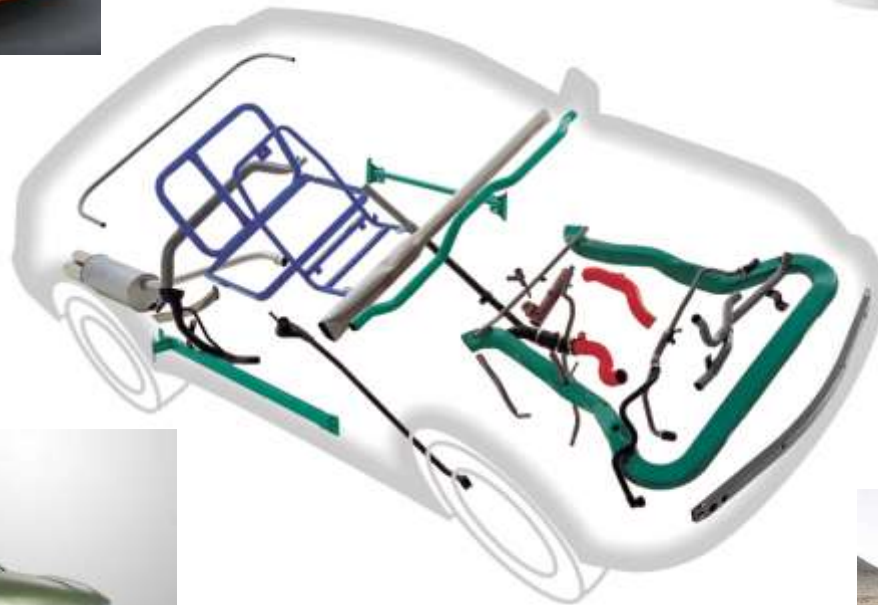


*All figures correct at the time of issue.

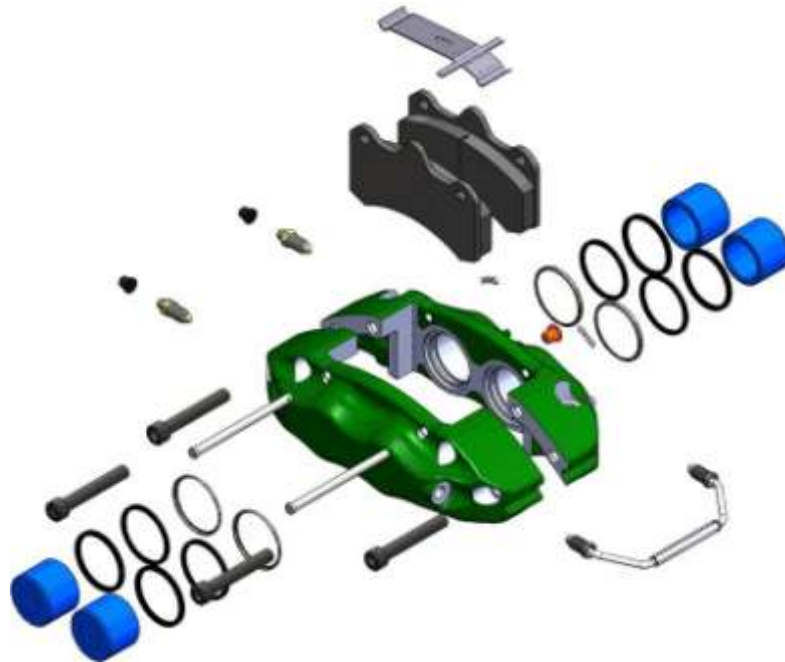
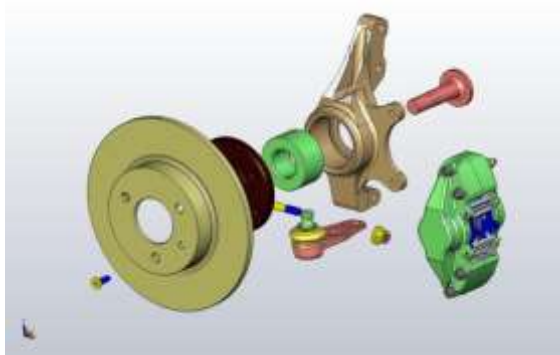
Clydesdale Jones



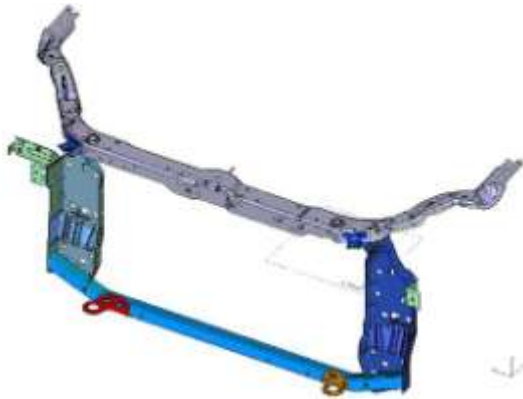
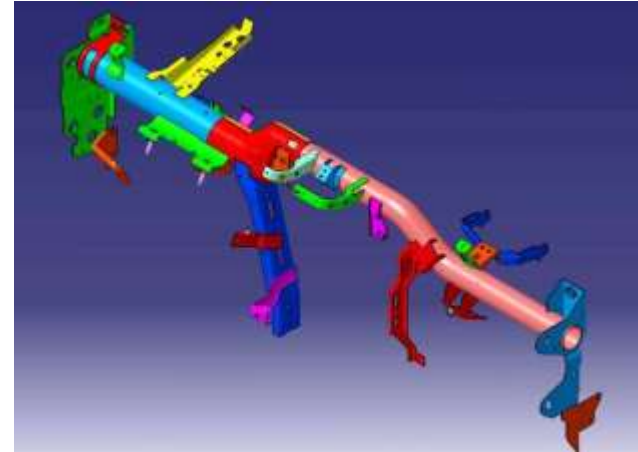
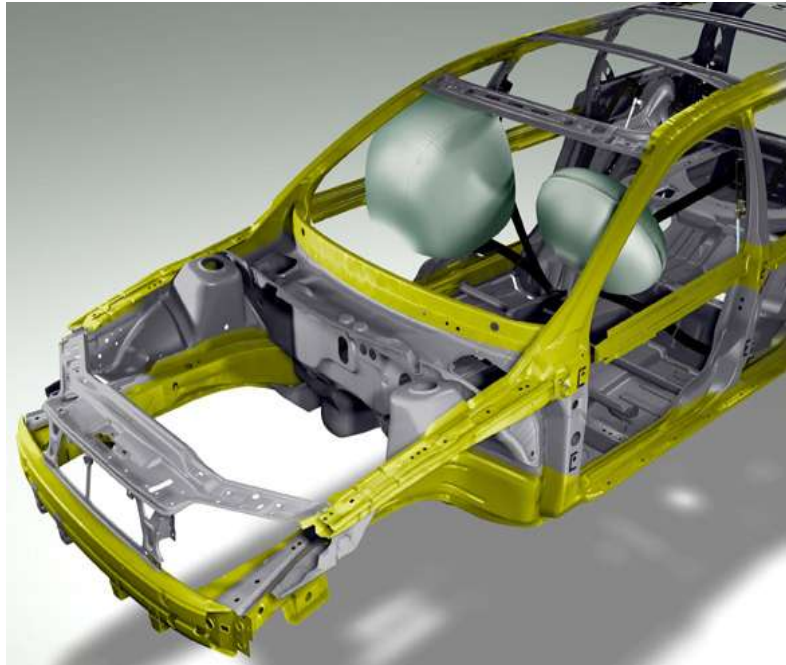
Caparo Tube Components



AP Braking



Caparo Modular Systems



Atlas Fasteners



CAPARO
MATERIALS ENGINEERING

M14 X 145 HEX FLG 1/T2000 SEMS

OPERATION - ROLL THREAD
CHECK FOR ROLLING LAPS

DRAWN BY: DM | APPROVED:

145.0 ±0.8

35.0 MAX

25.0 MIN

100.0 REF FULL THD

110.0 REF

M14 2.0p
TAPTITE 2000

NO UNDERFILL IS PERMITTED ON TAPER THREADS

TRI-LOB DIMENSIONS TO BE MEASURED FROM FIRST

4.0
2 STABILIZING THRS.
6.0
3 THRD. TAPERED LEAD

0257

W7802945J42XD

RA

801

N78

WORKS ORDER

Caparo T1

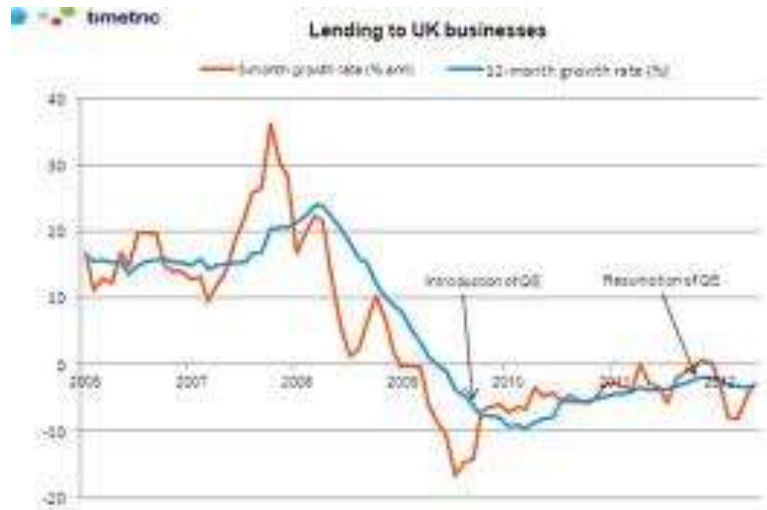




Funding for Lending

Supported by the Bank of England and the British Government

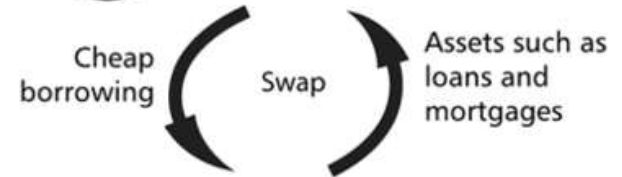
Funding for Lending Scheme open for business



Funding for Lending Scheme



BANK OF ENGLAND

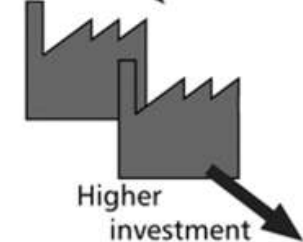


More / cheaper mortgages

More / cheaper business loans



Higher spending



Higher investment

Growth in the economy



GROWING THE UK AUTOMOTIVE SUPPLY CHAIN

THE ROAD FORWARD – 2012 UPDATE

Compiled and produced by the
Department for Business, Innovation & Skills in collaboration with
Stephan Schramm and Dr Matthias Holweg, University of Cambridge
and the Industry Members of the Automotive Council





BENTLEY



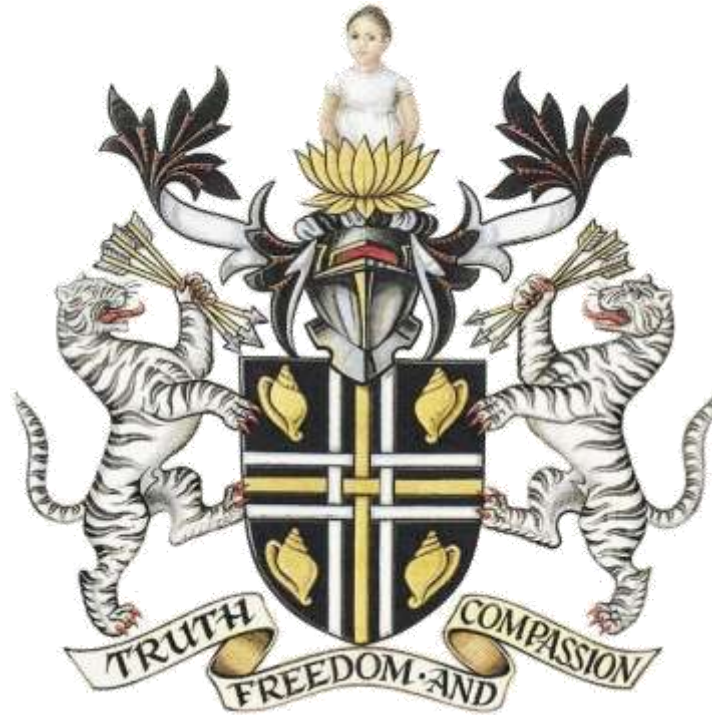
HONDA



JAGUAR



ASTON MARTIN



THANK YOU